

Dear Clients:

It is our pleasure to present for your reference the latest Catalogue and Price List for the decorative door hardware.

Baton has accumulated the experience in the manufacturing and distribution of the security locking devices and related hardware since 1973. Since then, we have consistently provided clients with a wide range of high quality locking devices along with the edge necessary in today's security industry.

At Baton, our goal is to provide you with the highest quality not only in security products but also in customer service. To assist you with your product needs, our Customer Services Department is open from 8:00 AM until 4:30 PM Pacific Time, Monday through Friday.

The following pages show the product lines we constantly carry in our warehouse located at Garden Grove, California. Nevertheless, tooling, manufacturing as well as purchasing stock items are value added benefits of doing business with us. Your complete satisfaction is our goal. Please call our Customer Service Representatives at 1-877-baton99 (228 6699) and let us know how we can best serve you. Should you have any other needs regarding locking devices, please call our CSR at the following numbers:

| |
|---|
| <p>Toll free Tel : 1-877 - 228 6699 Fax: 1-866 - 228 6699</p> |
| <ol style="list-style-type: none"> 1. Mortise Door Lock, Low Profile Deadbolts, Tubular Latches and components 2. European Profile Cylinders, Rim Cylinders, Key in knob and Mortise Cylinders 3. Decorative Hardware 4. Special locks for Payphone, Casino, Gaming and Vending Industries. |

| |
|--|
| <p>Toll free Tel : 1-800 - 395 8880 Fax: 1-888 - 395 8880</p> |
| <ol style="list-style-type: none"> 1. High security locks and devices of all kinds for Vending, Laundry, Casino and Video Gaming Industries 2. Padlocks - Brass, Laminated steel, Hardened steel and Stainless steel for Coin-Op Industries and general public 3. Do-it-yourself general hardware |

Sincerely,

Peace Hsu
 President

Terms and Freight Policy -

All prices are based on FOB our warehouse. Net 30 days can be arranged upon approval on open account others will be C.O.D. or prepaid. Any past due account is subject to a financial charge at 1.5% on unpaid balance billed monthly. No further shipment will be honored until account is brought back to current. Service charges will apply to all the returned checks. Unless you specify otherwise, will use a carrier and route of our choice. Claim for loss or damage in transit should be made by you against the carrier. All goods are shipped at the customers risk; our responsibility ceases upon delivery in good order to the carrier.

Receipt and Return Goods Policy -

Any discrepancy regarding the shipment must be claimed within five(5) days after merchandise received. Any return item should be received within 30 days of invoice date. A "RGA" number must be obtained from our CSR Department prior to the merchandise returned. The returned goods must be in original packaging and salable condition. There will be a 25% restocking charge and freight on merchandise returned or refused for reasons other than defect or incorrect shipment. No special or custom made order can be returned other than factory defect.

Orders and Cancellations -

Order and/or cancellations will not be processed without written confirmation from customer. Any order shipped before written request of cancellation or change is received will incur handling charges as stated above. Special orders and custom made items are not cancelable after a period of 3 days from date of order. Partial orders shall be accepted by the customer and paid for at the contract prices and terms. Order received by Baton constitute acceptance of terms outlined in this document. Baton is not responsible for any loss or damage due to delays or extended delivery dates of goods.

Limited Warranty -

Baton warrants that its products will be free from defects in materials and workmanship (excluding oxidation or discoloration) for a period of one year from the date of sales to the user. Our only obligation will be to replace the defective product or parts upon inspection, together with proof of purchase from one of our agents dated within the warranty period. **We assume no liability for any labor charges regarding the removal or reinstallation of the products; nor will we cover any freight, postage, traveling or handling expense relative to the product. Damage caused by accident, misuse, abuse or improper installation are not covered by this warranty. Except as expressly stated herein, there is no warranty, whether expressed or implied, provided by Baton. No other person has authority to assume any obligation or liability in addition to this warranty.**

Validity and Special Note -

This catalogue with Price List enclosed is good for six (6) months from the date issued and supersedes all previous catalogues and Price Lists. Baton is not responsible for any typographic errors or errors in indication.

**Series D420 Solid Brass Low Profile
Deadbolt Assemblage - Modern**

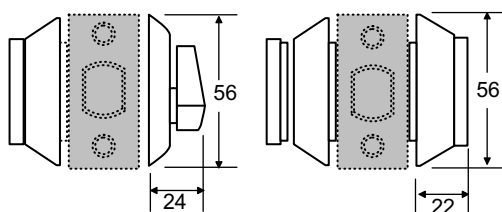
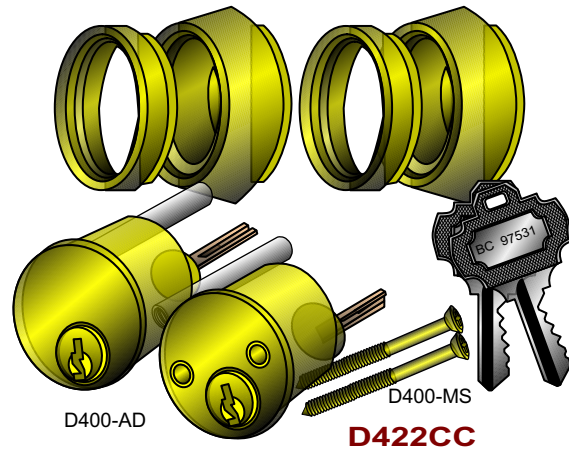
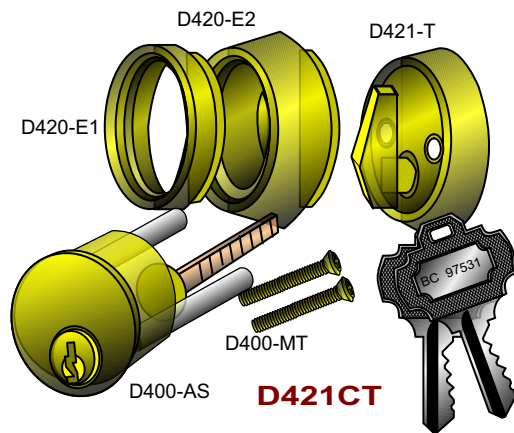
Baton's D420 Series Deadbolts provide quality, style and beauty, coupled with unmatched locking reliability. The 2 piece tandem machined brass security collars are designed for a wider range of application in door thickness. 'Schlage-C' keyway, supplied with 2 large bow brass keys per lock as standard. Available: Keyed Different (KD), Keyed Alike (KA) in groups, Master Keying (MK) and Construction Keying (CK).

Two styles are available from stock:
Model D421 Single Cylinder Deadbolt features an easy way to operate interior thumb-turn and can be locked or unlocked from exterior with a key.

The model D422 Double Cylinder Deadbolt can be locked or unlocked from either side with a key.

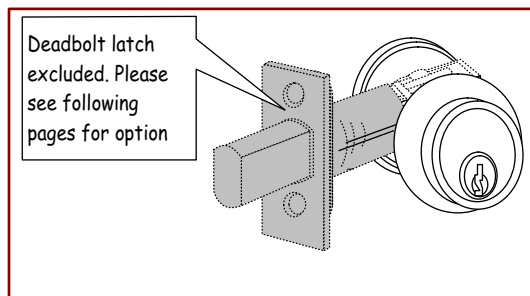
Ideal for 1-1/2" ~1-3/4" face bored mount.
For 2-1/8" pre-bored door, please use the optional D400-C3 Adapter Ring as shown.
Finishes: US10B, 15, 15A, 19, 26 & 3.

The Deadbolt assemblage excludes the Deadbolt Latch. Please see the following pages for optional models and Backsets available from stock.

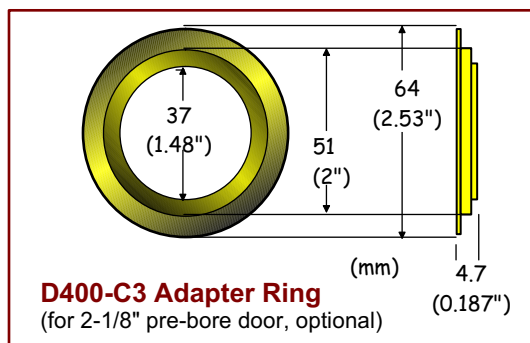


D421CT

D422CC



| Stock No. | Description |
|-------------|--|
| D421CT-___ | Deadbolt Cylinder/Trim assemblage, Modern, Single Cylinder |
| D422CC-___ | Deadbolt Cylinder/Trim assemblage, Modern, Double Cylinder |
| D400-C3-___ | Adapter Ring |



(See page D03 for detailed spec of the trim rings)

Series D460 Solid Brass Low Profile Deadbolt Assemblage -Classic

Baton's D460 Series Deadbolts have the same construction as D420 but come with classic style trim ring and interior Thumb Turn assembly. The 2-piece tandem forged brass security trim rings are designed for a wider range of application in door thickness. 'Schlage-C' keyway, supplied with 2 large bow brass keys per lock as standard. Available: Keyed Different (KD), Keyed Alike (KA) in groups, Master Keying (MK) and Construction Keying (CK).

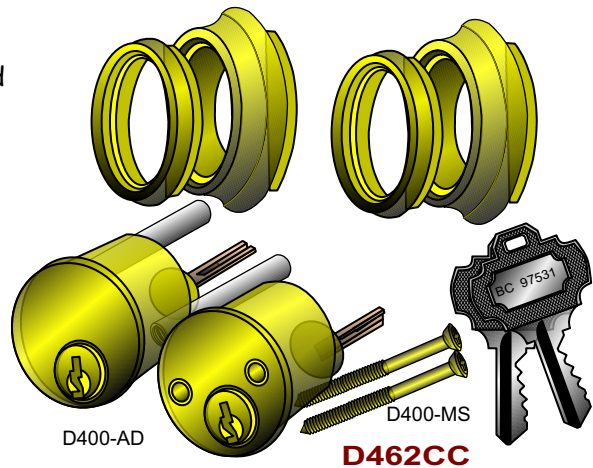
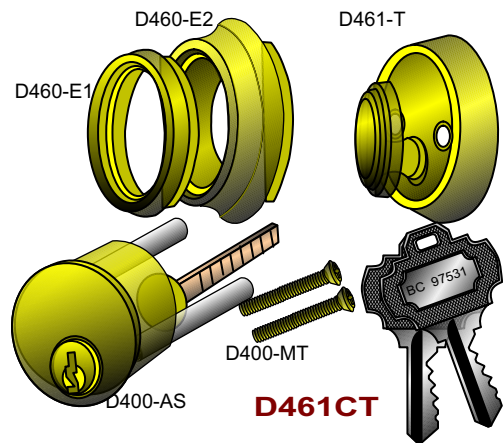
Two styles are available from stock:
Model D461 Single Cylinder Deadbolt features an easy way to operate interior thumb-turn and can be locked or unlocked from exterior with a key.

The model D462 Double Cylinder Deadbolt can be locked or unlocked from either side with a key.

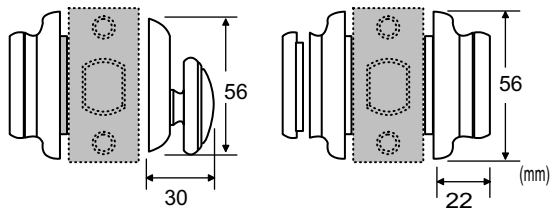
Ideal for 1-1/2" ~1-3/4" face bored mount. For 2-1/8" pre-bored door, please use the optional D400-C3 Adapter Ring as shown.

Finishes: US10B, 15, 15A, 19, 26, 3 & 5.

The Deadbolt assemblage package excludes the Deadbolt Latch. Please see the following pages for optional models and Backsets available from stock.

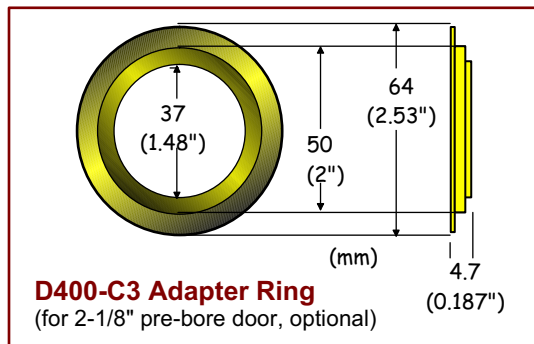
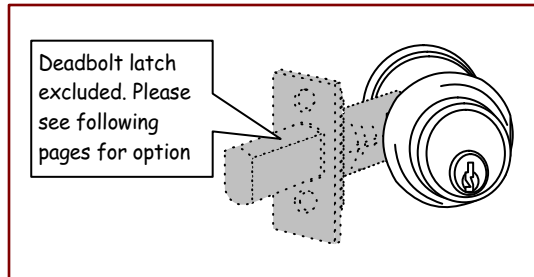


D02



D461CT

D462CC



| Stock No. | Description |
|------------|---|
| D461CT-___ | Deadbolt Cylinder/Trim assemblage, Classic, Single Cylinder |
| D462CC-___ | Deadbolt Cylinder/Trim assemblage, Classic, Double Cylinder |

(See page D03 for detailed spec of the trim rings)

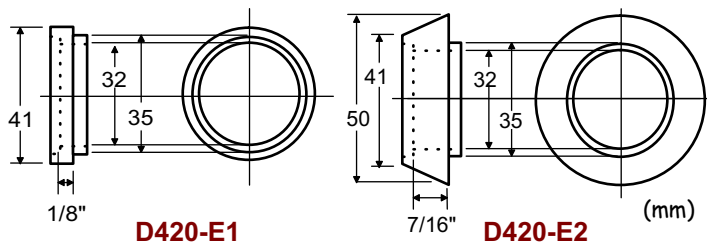
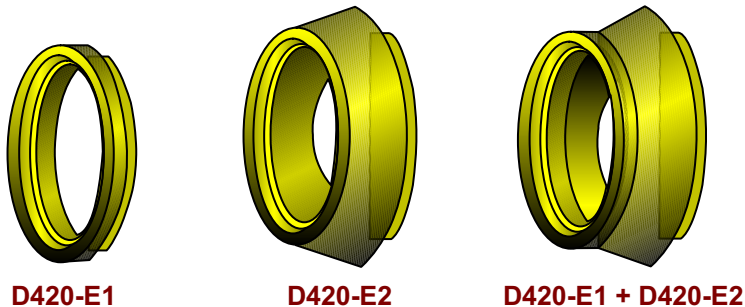
These beautiful quality small and main Trim Rings as used for the Series D420 and D460 Deadbolts can be purchased separately. Two styles are available.

Finishes: US10B, 15, 15A, 19, 26 & 3.

Contemporary Trim Rings

| Stock No | Description. |
|----------|----------------------|
| D420-E1 | Small trim ring 1/8" |
| D420-E2 | Main trim ring 7/16" |

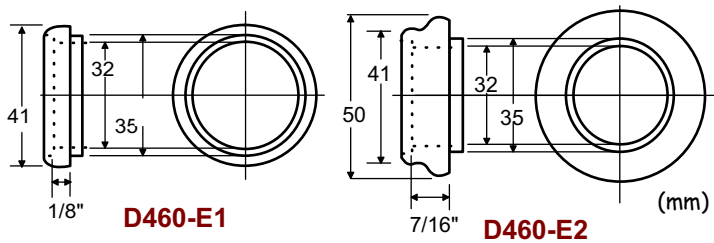
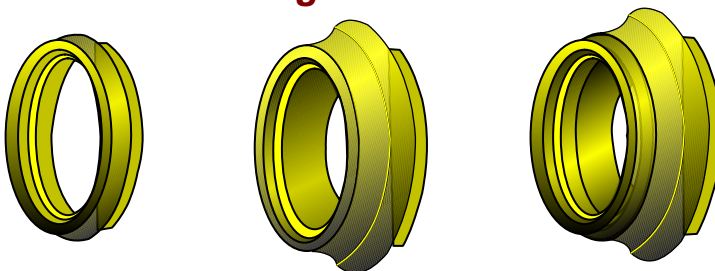
Contemporary Trim Rings



Classic Trim Rings

| Stock No. | Description |
|-----------|----------------------|
| D460-E1 | Small trim ring 1/8" |
| D460-E2 | Main trim ring 7/16" |

Classic Trim Rings



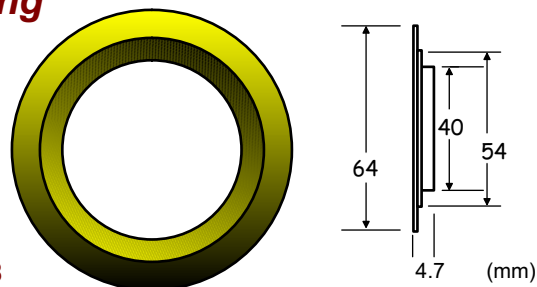
Adapter Ring

Model D400-C3 Adapter Rings are constantly stocked for your convenience. These rings are utilized for installing locks on a 2-1/8" door preparation.

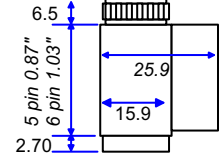
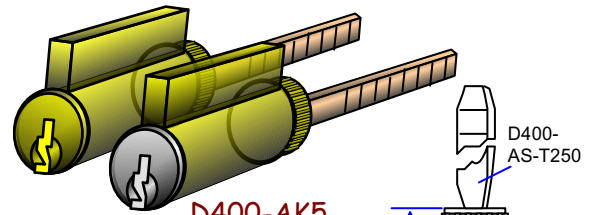
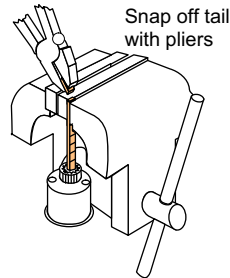
Finishes:
US10B, 15, 15A, 19, 26, 3 & 32D.

| Stock No. | Size |
|-----------|---------------------|
| D400-C3 | dia 2.535" x4.7mm H |

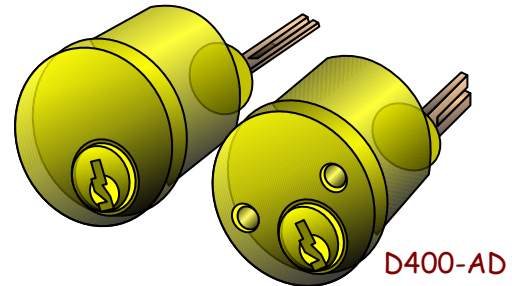
Adapter Ring



Baton's Knob & Deadbolt Cylinders are made of precision extruded brass. 'Schlage-C' keyway. Cylinders, including series 'AC' Mortise Cylinders and 'EC' Euro Profile Cylinders, can be keyed to the same system easily with Baton or most of the competitors' rekeying pin kit. Satin chrome (C) or satin brass (B) Barrels for your option. Specify when ordering. Furnished with 2 large bow keys as standard.



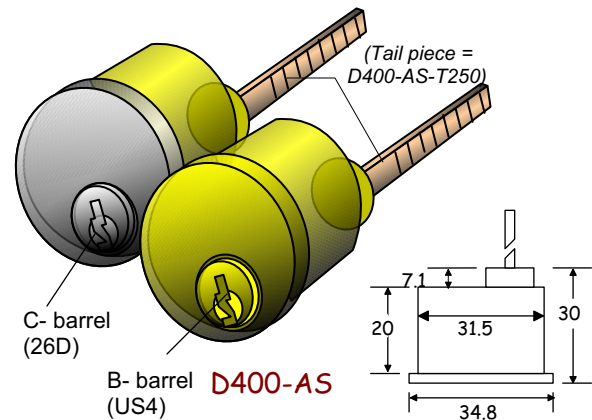
| Stock No. | Description | Finish/Barrel |
|-----------|--------------------|-----------------|
| D400-AK5C | Key in Knob, 5 pin | Satin Chrome /C |
| D400-AK5B | " | Satin Brass /B |
| D400-AK6C | Key in Knob, 6 pin | Satin Chrome /C |
| D400-AK6B | " | Satin Brass /B |



Deadbolt Cylinders are available for the followings:
 D400-AS : US10B,14,15,15A,19,26,26D,28,3,3N, 32, 32D, 4, 5, PVD & D3N, D32D
 D400-AD : US10B, 15,15A,19,26,3,3N, 32D

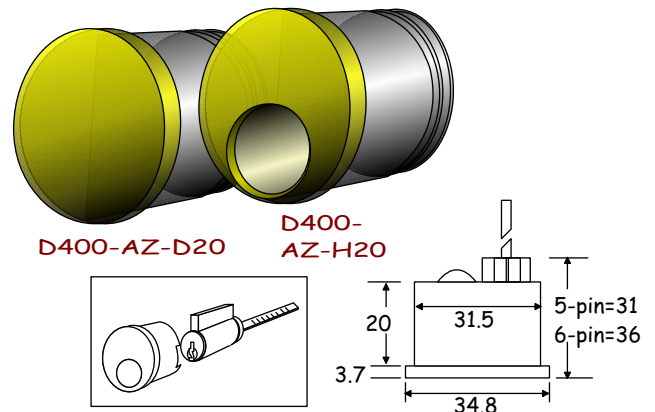
| Stock No. | Description | Finish/Barrel |
|-----------|-----------------------------|-----------------|
| D400-ADB | Deadbolt cyl, 5 pin, double | Satin Brass /C |
| D400-ADC | " | Satin Chrome /B |
| D400-ASB | Deadbolt cyl, 5 pin, single | Satin Brass /B |
| D400-ASC | " | Satin Chrome /C |

Remark: Bolting screw excluded. See following page for option



Model D400-AZ-H20 Deadbolt Cylinder Housing is formed to accept D400-AK5 5-pin or AK6 6-pin standard Key-in-knob cylinder and works as a Deadbolt Cylinder. The universal housing is made out of cast alloy with finished cap over the housing front.
 Finishes: US10B, 15, 15A, 19, 26D, 3, 32, 32D & 4

| Stock No. | Description | Finish |
|--------------|---------------------------|-------------------------------|
| D400-AZ-D20 | Dummy cylinder Housing | 3, 32D |
| D400-AZ- H20 | Deadbolt Cylinder Housing | 10B,15,15A,19, 26D, 3, 32D, 4 |



Remark: Please refer to page A12 for the definition of finish symbols.

Series 'D' Backup Plate & Accessories for Deadbolt Cylinders

Backup plate for Single Deadbolt Cylinder, brass
The Deadbolt Bracket, steel construction, is designed for using on communication door mount.

| Stock No. | Description |
|--------------|--|
| D400-AS-B281 | Brass backup plate, dia59.2 x 1.5mm T. |
| D400-DZ-023 | Deadbolt Bracket |

Standard & Extended Tail Piece for Deadbolt Cylinder, Steel, with snapable segments in 1/4" increments.
Packed 10 pcs per bag.

| Stock No. | Description/Size (L x W x T) |
|--------------|--|
| D400-AD-T075 | Tail piece f/double 0.75" x 0.244" x 0.085" |
| D400-AD-T093 | Tail piece f/double 0.93" x 0.244" x 0.085" |
| D400-AS-T170 | Tail piece f/single, 1.70" x 0.228" x 0.078" |
| D400-AS-T227 | Tail piece f/single, 2.27" x 0.232" x 0.078" |
| D400-AS-T232 | Tail piece f/single 2.32" x 0.275" x 0.082" |
| D400-AS-T250 | Tail piece f/single 2.5" x 0.25" x 0.082" |
| D400-AS-T400 | Tail piece f/single 4" x 0.252" x 0.078" |

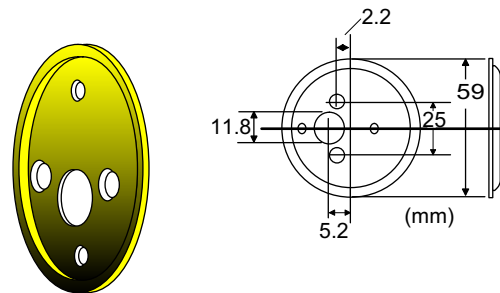
Bolting Screws are made of steel. 3 sizes are available.
Packed 10 pcs (5 pairs) per bag.

Finishes: US10B, 14, 15A, 19, 3, 5 & S(raw steel)

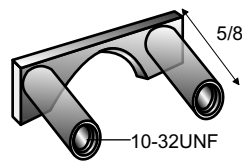
| Stock No. | Description |
|-----------|-----------------------------------|
| D400-MS- | 10-32UNF x 2-1/4" L |
| D400-MT- | 10-32UNF x 1-1/4" L |
| D400-MX- | 10-32UNF x 3-1/16"L w/3 ring cuts |

Screw Posts are made of steel and are nickel plated.
Models D400-ZB are tapped with 10-32unf threads at both ends, furnished with one each of the ball raised counter-sunk head screws, one each of the '+' and plain head.
Ideal for through bolting of trim fastening. 2 sizes in finishes of US10B, 14, 15A, 3 & 5 are available.
Models D400-ZC have 10-32unf threaded both for the male and female ends. Can be adapted on to Deadbolt cylinders (D400-AS/AD/AK-H20) for easy installation or work as extension for thicker door application. 4 sizes are in stock for your choice. Packed 10 per bag.

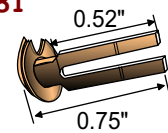
| Stock No. | Description |
|-------------|--------------------------------------|
| D400-ZB 086 | Screw Post set, 3/4" |
| D400-ZB 185 | Screw Post set, 1-5/8" |
| D400-ZC 050 | Screw Post/Extension Coupler, 1/2" |
| D400-ZC 087 | Screw Post/Extension Coupler, 7/8" |
| D400-ZC 100 | Screw Post/Extension Coupler, 1" |
| D400-ZC 125 | Screw Post/Extension Coupler, 1-1/4" |



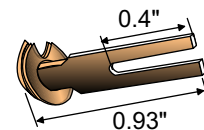
D400-AS-B281



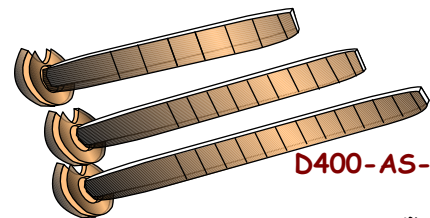
D400-DZ-023



D400-AD-T075

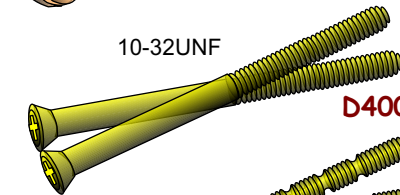


D400-AD-T093

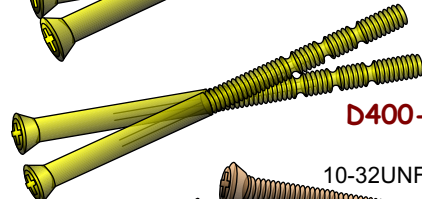


D400-AS-T__

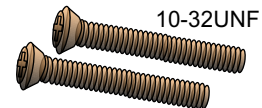
10-32UNF



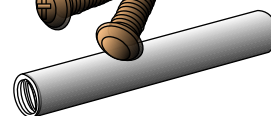
D400-MS



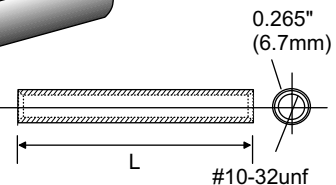
D400-MX



D400-MT



D400-ZB



D400-ZC

#10-32unf

Series D400 Heavy Duty Latch Bolt & Accessories (1)

Baton's Series D4 heavy duty Deadbolt Latches are of all metal construction, featuring a full 1" throw latch bolt. The latch bolts are made of solid brass with hardened steel anti-saw roller, stainless steel with hardened steel anti-saw roller or hardened steel to meet your security needs at all levels. Five models in the standard Bolt finishes, (See following pages) are offered for combination with some 18 finishes for the Faceplate/Strike assemblages, providing the widest range of choice for your finish selection.

Furnished with Faceplate (D400-F1), Strike (D400-S1), Security Strike (D400-SA), Dust Box (D400-G2) and Mounting Screws are standard. Please see the following chart for the finish matching.

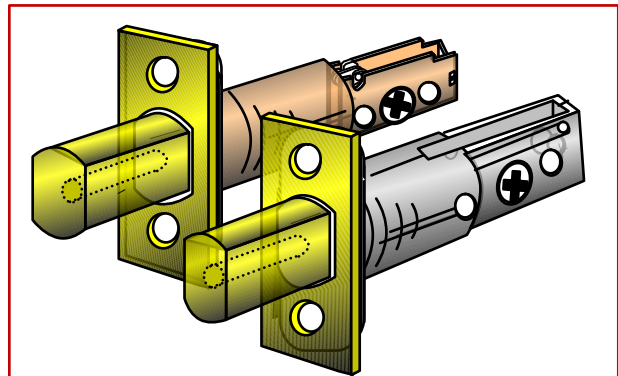
| Faceplate/Strike Assemblage | |
|-----------------------------|-----------------------------------|
| Assemblage A | US3, 4, 5, 9, 10B, 19, PVD |
| Assemblage B | US14, 15, 15A, 26, 26D, 32, 32D |
| Assemblage C | US10B, 3 (with UL + F symbol) |
| Assemblage D | US15A, 32D (with UL + F symbol) |

1/4" radius corner Faceplate and strong Strike combo D400-SD "The Double" are optional. D400-SC has a smaller opening for the Deadbolt tongue and served with a 3mm thick heavy duty inner strike that can be bolted together onto the door frame for added security.

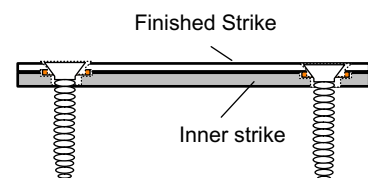
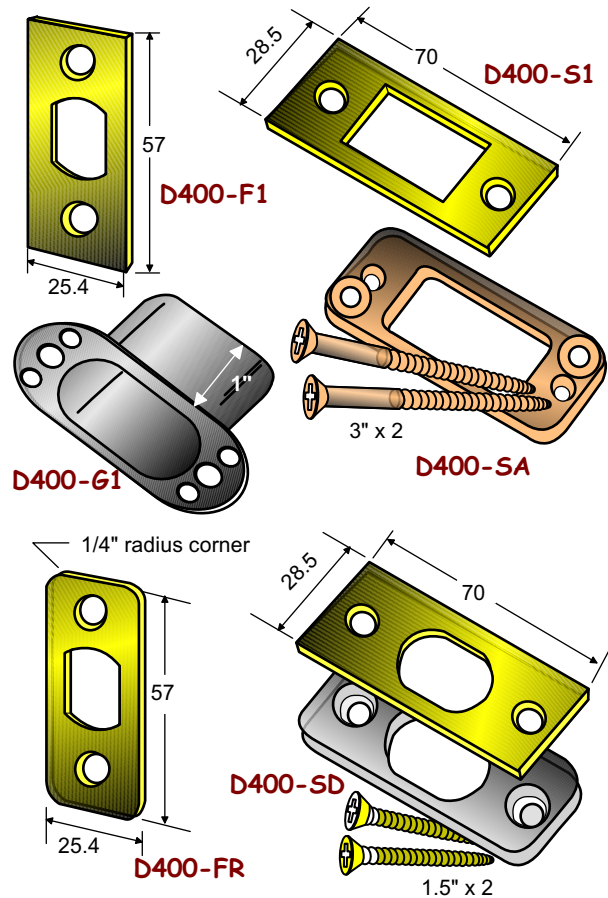
All accessories can be ordered as separate purchase items. Please see the following chart for the details and finishes available from stock.

| Stock No. | Description | Finishes |
|-----------|-------------------------------|---------------------------------|
| D400-F1- | Faceplate, square corner | US10, 10B, 14, 15, 15A, 19, 26, |
| D400-S1- | Strike | 26D, 3, 3A, 32, 32D, 4 & 5 |
| D400-FR- | Faceplate, 1/4" radius corner | US10B, 15A, 3, 32D |
| D400-SA- | Security Strike | Zinc plated |
| D400-SD- | Strike, The Double | US10B, 14, 3, 32D |
| D400-G1- | Dust Box | Plastic / Black |

Remark: Please refer to page A12 for the definition of finish symbols.



D06



Series D400 Heavy Duty Latch Bolt & Accessories (2)

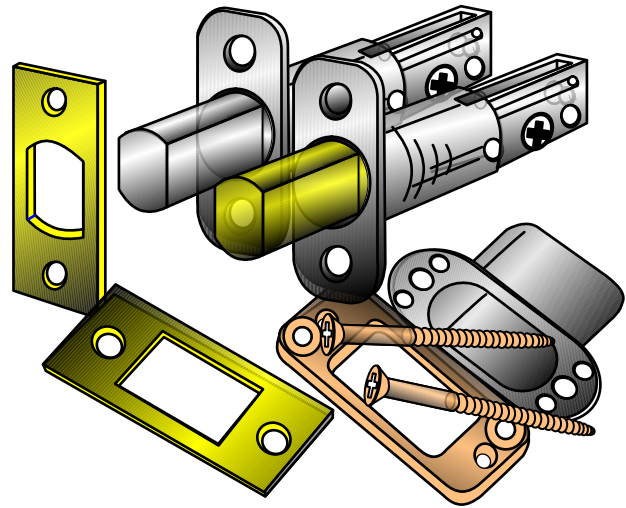
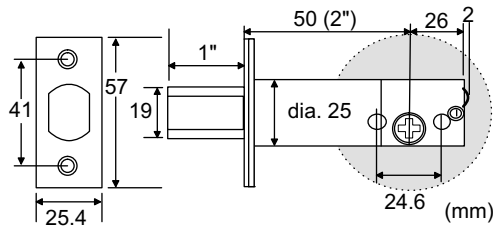
Model D400-DA50

Heavy Duty Deadbolt Latch, 2"

Case : Die Cast Zinc Alloy, nickel plated

Bolt : Solid brass features anti-saw
hardened steel roller/concealed,
satin brass (B) or satin nickel (N)

Backset : 50mm (2")



| Model No. | Backset | Case Material | Tongue Material | Tongue Finish | Anti-saw Roller | Faceplate / Strike* |
|-------------|-----------|---------------|-----------------|------------------|-----------------|---------------------|
| D400-DA 50B | 50mm (2") | Cast Alloy | Extruded Brass | Satin Brass (B) | Concealed | Assemblage A |
| D400-DA 50N | 50mm (2") | Cast Alloy | Extruded Brass | Satin Nickel (N) | Concealed | Assemblage B |

Model D400-DB60/70

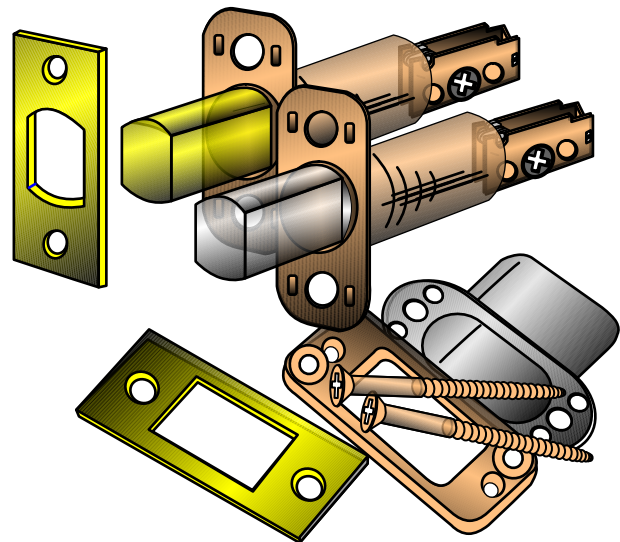
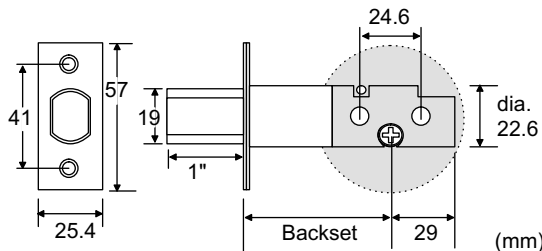
Deadbolt Latch, 60mm/70mm

Case : Steel, yellow zinc plated

Bolt : -Solid brass features anti-saw
hardened steel roller/concealed,
satin brass(B) or satin chrome(C).

-Stainless Steel features anti-saw
hardened steel roller/concealed,

Backsets : 60mm (2-3/8"), 70mm (2-3/4")



| Model No. | Backset | Case Material | Tongue Material | Tongue Finish | Anti-saw Roller | Faceplate / Strike* |
|-------------|--------------|---------------|-----------------|------------------|-----------------|---------------------|
| D400-DB 60B | 60mm(2-3/8") | Steel | Extruded Brass | Satin Brass (B) | Concealed | Assemblage A |
| D400-DB 60C | 60mm(2-3/8") | Steel | Extruded Brass | Satin Chrome (C) | Concealed | Assemblage B |
| D400-DB 60S | 60mm(2-3/8") | Steel | Stainless Steel | Stainless S. (S) | Concealed | Assemblage A |
| D400-DB 70B | 70mm(2-3/4") | Steel | Extruded Brass | Satin Brass (B) | Concealed | Assemblage A |
| D400-DB 70C | 70mm(2-3/4") | Steel | Extruded Brass | Satin Chrome (C) | Concealed | Assemblage B |
| D400-DB 70S | 70mm(2-3/4") | Steel | Stainless Steel | Stainless S. (S) | Concealed | Assemblage A |

** - Faceplate/Strike assemblages - see page D06

Series D400 Heavy Duty Latch Bolt & Accessories (3)

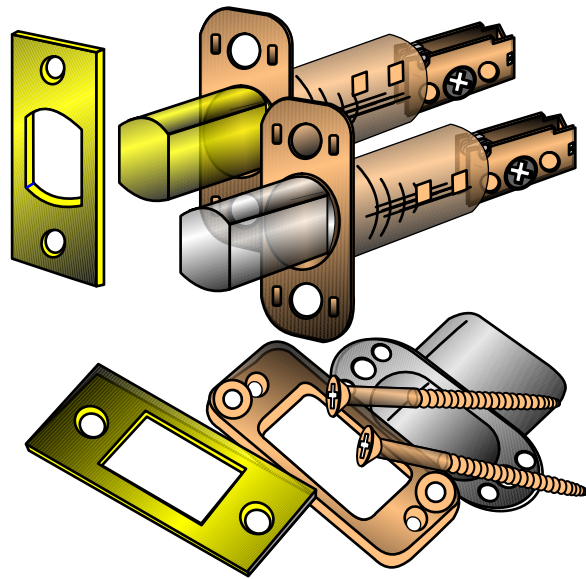
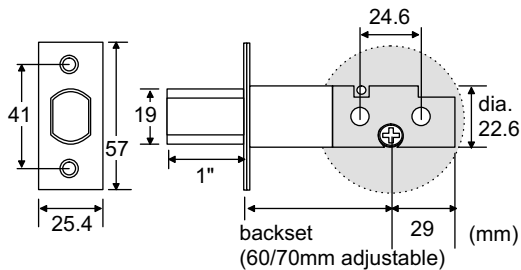
Model D400-DC67

Deadbolt Latch, 60/70 adjustable

Case : Steel, yellow zinc plated

Bolt : Solid brass features anti-saw hardened steel roller/concealed, satin brass(B) or satin chrome(C)

Backsets : 60mm (2-3/8") & 70mm (2-3/4")
Adjustable



D08

| Model No. | Backset / Adjustable | Case Material | Tongue Material | Tongue Finish | Anti-saw Roller | Faceplate / Strike* |
|-------------|----------------------|---------------|-----------------|------------------|-----------------|---------------------|
| D400-DC 67B | 60/70mm | Steel | Extruded Brass | Satin Brass (B) | Concealed | Assemblage A |
| D400-DC 67C | (2-3/8" & 2-3/4") | Steel | Extruded Brass | Satin Chrome (C) | Concealed | Assemblage B |

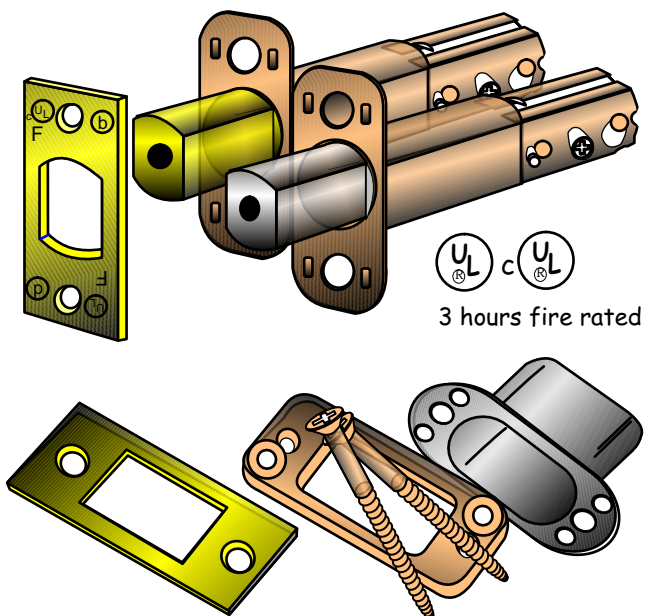
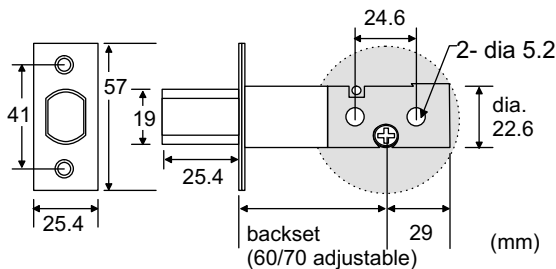
Model D400-DF67

Deadbolt Latch, UL+ F3 hours, 60/70 adjustable

Case : Steel, yellow zinc plated

Bolt : Solid brass features anti-saw hardened steel roller, satin brass (B) or satin nickel (N)

Backsets : 60mm (2-3/8") & 70mm (2-3/4")
Adjustable



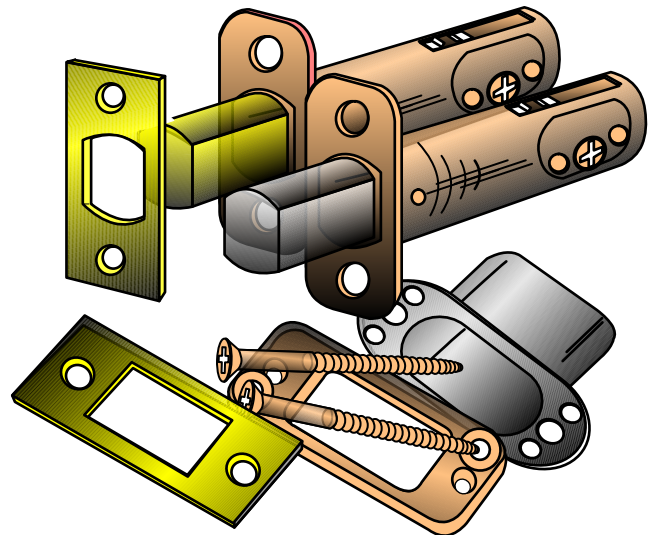
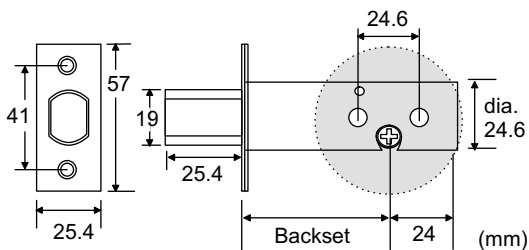
| Model No. | Backset / Adjustable | Case Material | Tongue Material | Tongue Finish | Anti-saw Roller | Faceplate / Strike* |
|-------------|----------------------|---------------|-----------------|-----------------|-----------------|---------------------|
| D400-DF 67B | 60/70mm | Steel | Extruded Brass | Satin Brass (B) | Yes | Assemblage C |
| D400-DF 67N | (2-3/8" & 2-3/4") | Steel | Extruded Brass | Satin nickel(N) | Yes | Assemblage D |

** - Faceplate/Strike assemblages - see page D06

**Series D400 Heavy Duty
Latch Bolt & Accessories (4)**

Model D400-DH60/70
Deadbolt Latch,

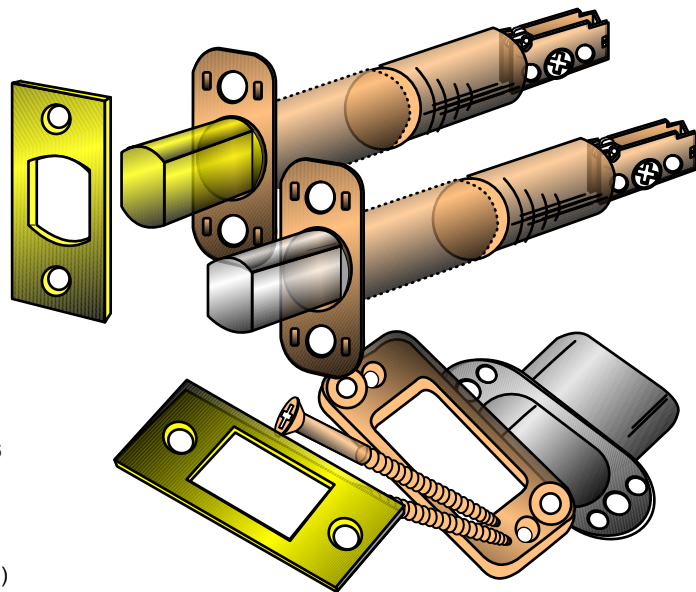
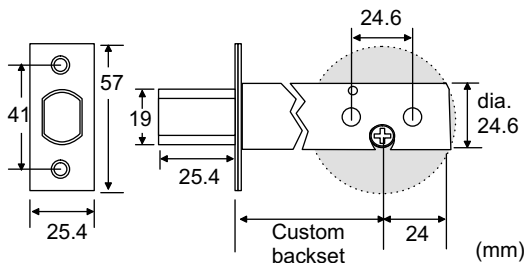
Housing : Steel, yellow zinc plated
Latch tongue : Solid Hardened steel, satin
brass(B) or satin nickel(N)
Backsets : 60mm (2-3/8"), 70mm (2-3/4")



| Model No. | Backset | Case Material | Tongue Material | Tongue Finish | Anti-saw Roller | Faceplate / Strike* |
|-------------|--------------|---------------|-----------------|------------------|-----------------|---------------------|
| D400-DH 60B | 60mm(2-3/8") | Steel | Hardened Steel | Satin Brass (B) | No | Assemblage A |
| D400-DH 60N | 60mm(2-3/8") | Steel | Hardened Steel | Satin Nickel (N) | No | Assemblage B |
| D400-DH 70B | 70mm(2-3/4") | Steel | Hardened Steel | Satin Brass (B) | No | Assemblage A |
| D400-DH 70N | 70mm(2-3/4") | Steel | Hardened Steel | Satin Nickel (N) | No | Assemblage B |

Model D400-DX 00

Custom made Extended Deadbolt Latch -
Extended backset deadbolt Latch in
various lengths can be ordered as
custom made item. The Latch tongue
can be ordered in satin brass or satin
chrome; takes standard Faceplate and
strike. Please call Baton's CSR for details.



| Model No. | Backset | Case Material | Tongue Material | Tongue Finish | Anti-saw Roller | Faceplate / Strike* |
|-------------|---------|---------------|-----------------|------------------|-----------------|---------------------|
| D400-DX 00B | Custom | Steel | Extruded Brass | Satin Brass (B) | Concealed | Assemblage A |
| D400-DX 00C | Custom | Steel | Extruded Brass | Satin Chrome (C) | Concealed | Assemblage B |

* - Faceplate/Strike assemblages - see page D06

**Series 'D500' Narrow backset
Interior Mortise Lock Case**

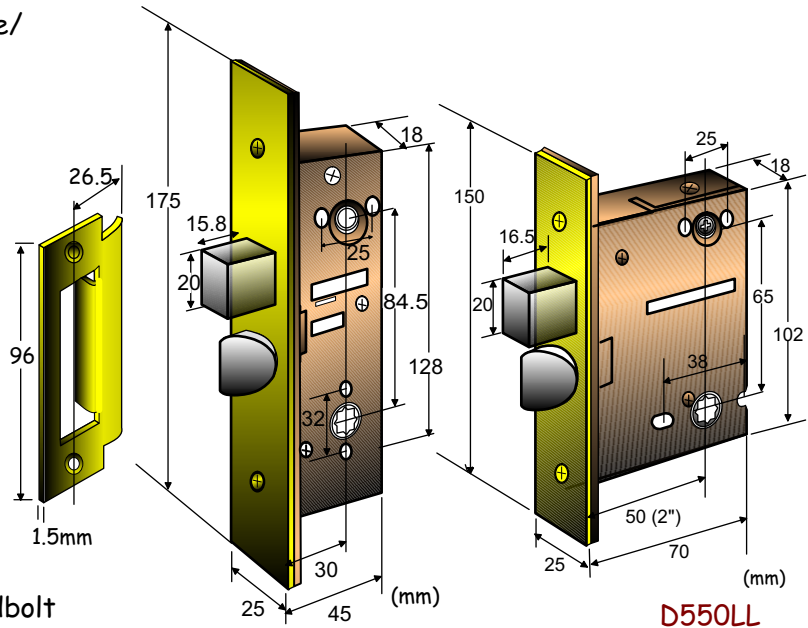
Baton models D530 & D550 Entrance/ Privacy narrow style lever strength Mortise Latch is constructed with quality metal working parts for smooth and durable operation.

Deadbolt is operated by Thumb Turn from inside, by key from outside. The non-handed spring latch is operated by Lever from either side. The Deadbolt and latch are supplied with chrome finish (D) only.

Both models require very little lever action to retract the bolt. The deadbolt is featured with a universal hub, and can be operated by a Turn piece as a privacy lock, or accommodated with a Single or Double Deadbolt cylinder (Baton D400-AS, D400-AD) as a storeroom lock.

Supplied with a Faceplate, Strike, Dust Box and Screws.

Hub size: 8.0mm on Square/
7.3mm on Diamond
Finishes : US10B, 3 and 32D



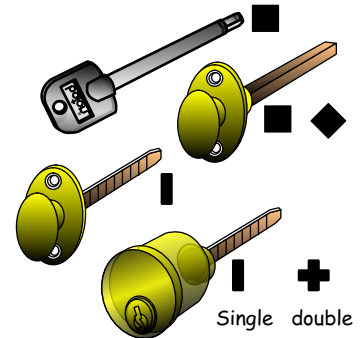
D530LL

D550LL

D10



Models D530/550 feature a universal hub, work with any deadbolt cylinder, or a thumb turn that is constructed with a flat tail, or a 5 mm spindle



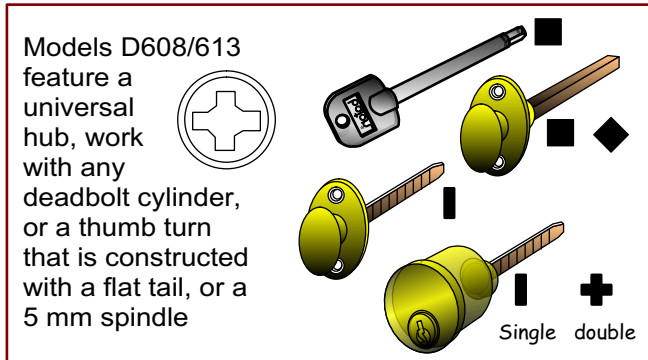
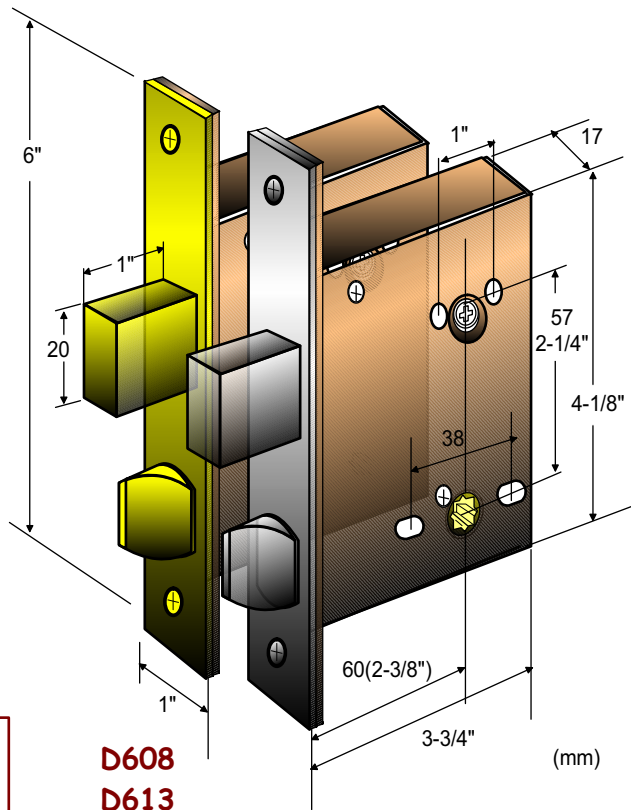
| Model No. | Backset | Function | Retracting | Depiction |
|-----------|----------------|--|--------------------|-----------|
| D530LL D | 1-3/16" (30mm) | Entrance (without egress) Latch by Lever from either side. Deadbolt by key outside, by Turn Piece (single cylinder) or key (double cylinder) inside. | 17 degree downward | LL |
| D550LL D | 2" (50mm) | Entrance (without egress) Latch by Lever from either side. Deadbolt by key outside, by Turn Piece (single cylinder) or key (double cylinder) inside. | 30 degree downward | LL |

Series 'D' Interior Mortise Lock -2

D11

Baton series D600 Interior Entrance/Privacy Mortise Lock Case is constructed with quality metal working parts for smooth and durable operation. The extruded solid brass Deadbolt is featured with a universal hub, can be operated by a Turn piece that is formed with a 5mm Spindle or a flat tail as a privacy lock; or accommodated with a Single or Double Deadbolt cylinder (Baton D400-AS/AD, D400-AK) as a storeroom lock. The forged brass Latch is non-handed and can be operated by Knob from either side. Model D613 features with an egress feature - operate the inside Knob retracts Deadbolt and Latch simultaneously. Latch/Deadbolt can be ordered in satin brass (B) or satin nickel (N).

Supplied with a Faceplate, Strike (AZ-SIC), Dust Box and mounting Screws.

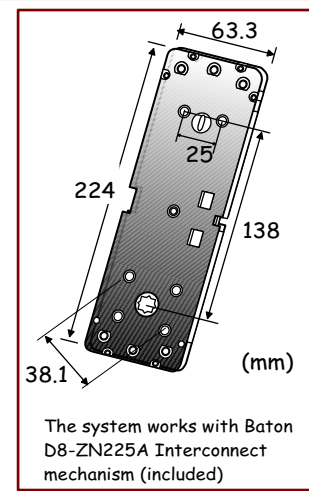
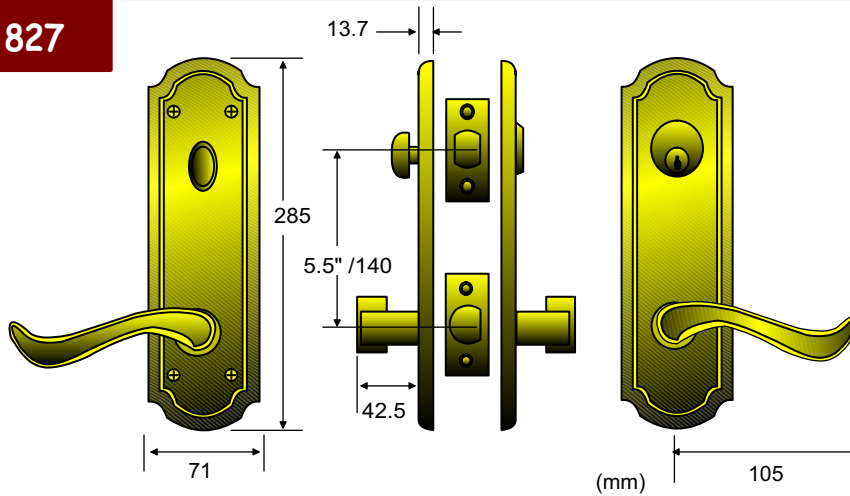


The deadbolt is Supplied with a Faceplate, Strike, Dust Box and Mounting Screws.
Hub size: 8.0mm on Square / 7.3mm on Diamond
Finish in stock : US10B, 3 and 32D

| Model No. | Backset | Function | Depiction |
|-----------|----------------|---|-----------|
| D608 | 2-3/ 8" (60mm) | Entrance (without egress) Latch by Knob from either side. Deadbolt by key outside, by Turn Piece (single cylinder) or key (double cylinder) inside. | KK LL |
| D613 | 2-3/ 8" (60mm) | Entrance (with egress) Latch by Knob from either side. Deadbolt by key outside, by Turn Piece inside. Inside Knob retracts latch and deadbolt simultaneously. | KK LL |

Model D827 Entrance Lock Set & Interconnect Mechanisms

D 827



D12

Baton's Model D 827 Interconnect Entrance Lock combines elegance, beauty and security with the strength of a deadbolt function. The Trim and Lever are made of forged brass, and features our quality deadbolt (series D4) with all brass cylinder (D400-AS), machined brass security collar, brass strike and the patented Tubular Latch (series LT-783/786) to add even more security and durability. Both the latch and deadbolt are retracted simultaneously. One quick twist of the lever inside unlocks both the latch and deadbolt. Thus panic-proofing a residence without compromising security, at the same time, adding a touch of class. The 5-7/16" Lever to deadbolt (center to center) design fits most of the pre-bored doors on the market. The non-handed design of the lever allows it to be installed either way. Available to order with 2-3/8" (60mm) or 2-3/4" (70mm) backsets. Please specify when ordering. Furnished with Dust boxes and mounting Screws. Finishes: US10B, 15A, 26, 26D & 3

| Stock No. | Description |
|--------------|---|
| D827-283/286 | Entrance lock set, 2-3/8" or 2-3/4" backset |

The Interconnect Mechanisms can also be purchased separately.

3 models are available:

D8-ZN200A -

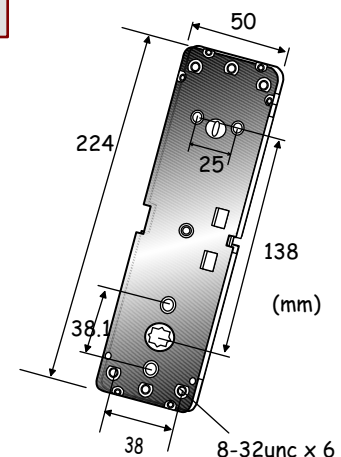
works with Baton series LT583/586/883/886 Tubular Latch, that a 28 degrees twist of the Lever inside unlocks the latch and deadbolt

D8-ZN200B -

works with Baton series LT680/683/686 Tubular Latch, that a 52.5 degrees twist of the lever inside unlocks the latch and deadbolt

D8-ZN225 -

works with Baton LT783/786 LS Tubular Latch, that a 28 degrees twist of the lever inside unlocks the latch and deadbolt.



| Stock No. | Retraction | Latch recommended | Trim styles |
|-----------|-------------|-----------------------|------------------|
| D8-ZN200A | 28 degree | LT583/586/590/883/886 | KK, LL, HK*, HL* |
| D8-ZN200B | 52.5 degree | LT683/686/880 | KK, LL, HK*, HL* |
| D8-ZN225A | 28 degree | LT783/786 LS | LL |

D8-ZN200

Remark: *' HK/HL - Baton Transfer Unit (LT-RT281A/281B) is to apply

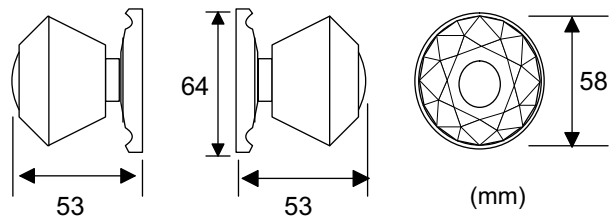
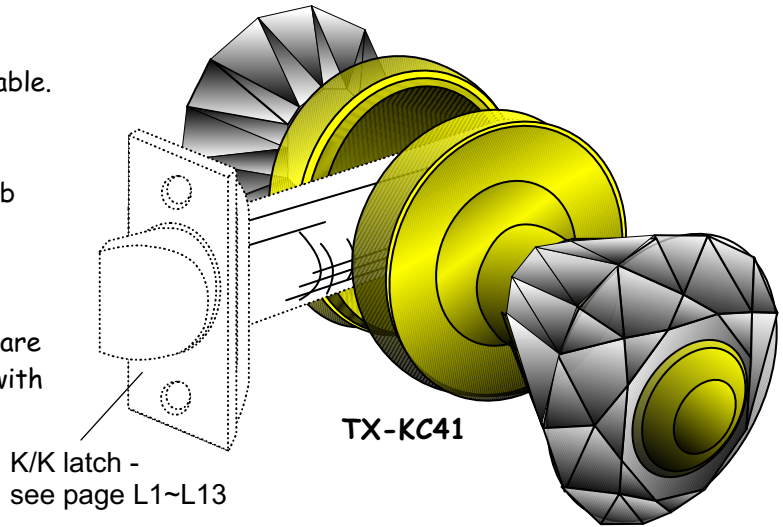
Series 'TX-K'
Crystal & Brass Knob Sets

Baton Series 'TX-K' Knob Sets combine style and beauty. Three models are available.

Model TX-KC41 is featured with 2-5/16" Crystal Glass Knobs. The Rosette and knob shank are made of brass. Finish: US26 & PVD

The knob of Models TX-KM53 and KM54 are made of forged brass, and are featured with a double Rosette design. The bolting screws are concealed behind the Snap-On upper Rosette. Both the upper and lower Rosettes are made of wrought brass. Hub size: 8mm on square

Finishes available :
US10B, 15, 15A, 26, 3 & PVD

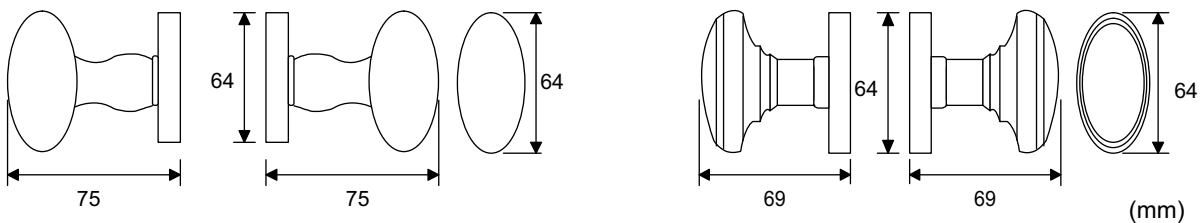
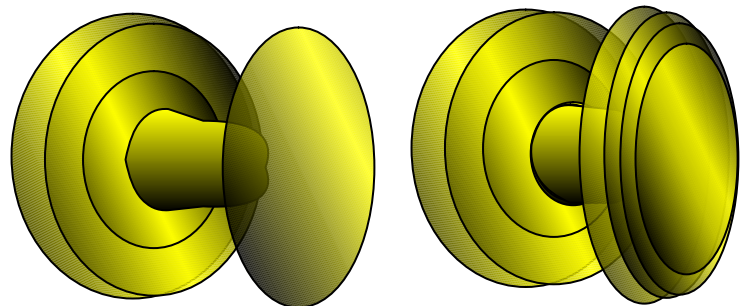


| Model Nos. | Description |
|------------|-------------------------|
| TX-KC41 | Knob set, Crystal glass |
| TX-KM53 | Knob set, Forged brass |
| TX-KM54 | Knob set, Forged brass |

T21

Latch and Mortise Lock case and Spindle are separate purchase items. Please refer to

- a) pages L01~L09 for Series 'LT' Tubular Latches and related accessories
- b) pages A01 to A10 for Series 'A' Mortise Lock Cases and
- c) pages D10, D11 and E01~E13 for Series 'D', 'E', 'F', 'G', 'K' Mortise Lock Cases
- d) page T25 for optional Spindles



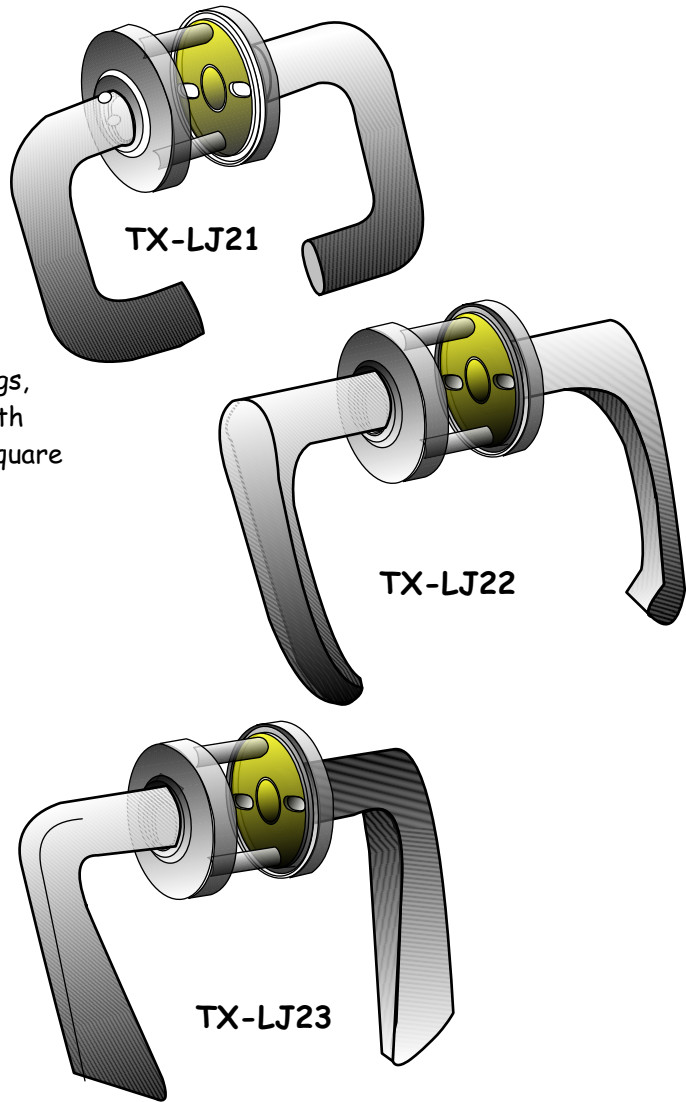
**Series 'TX-LJ' Lever Sets
- Stainless Steel**

Series TX-LJ Lever Sets are featured with Baton's LT-RA281 Rosette Adapter, coupled with stainless steel Rosettes and Levers.

The concealed Mounting screw design allows these Lever sets to be used for series 'A' Mortise Lock, series 'F', 'E' Euro Mortise Lock, series 'D' Mortise Lock and series 'LT' Tubular Latches.

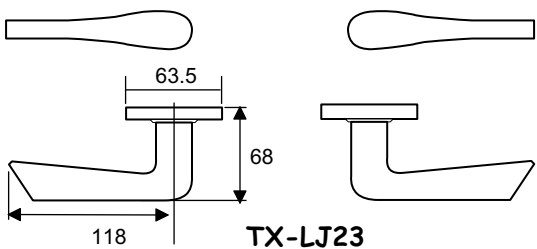
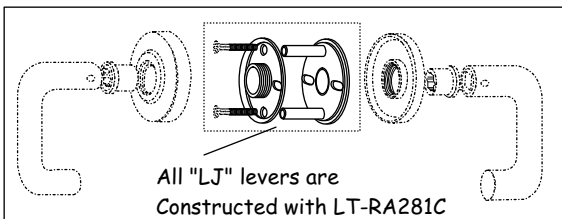
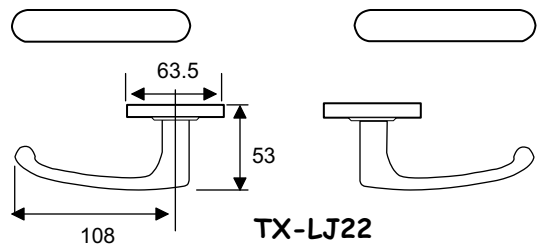
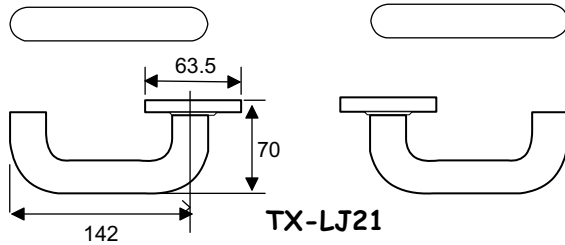
The package comes with 2 nylon spindle bushings, for 7.3mm and 8.0mm spindles, to ensure smooth and long lasting operation. Hub size: 8mm on square. Specify Passage or Privacy when ordering.

| Stock No. | Description & finish |
|-----------|----------------------|
| TX-LJ21 | Lever set, US32D |
| TX-LJ22 | Lever Set, US32D |
| TX-LJ23 | Lever Set, US32D |



- Latch and Mortise Lock case and Spindle are separate purchase items. Please refer to
- a) pages L01~L09 for Series 'LT' Tubular Latches and related accessories
 - b) pages A01 to A10 for Series 'A' Mortise Lock Cases and
 - c) pages D10, D11 and E01~E13 for Series 'D', 'E', 'F', 'G', 'K' Mortise Lock Cases
 - d) page T25 for optional Spindles

T22

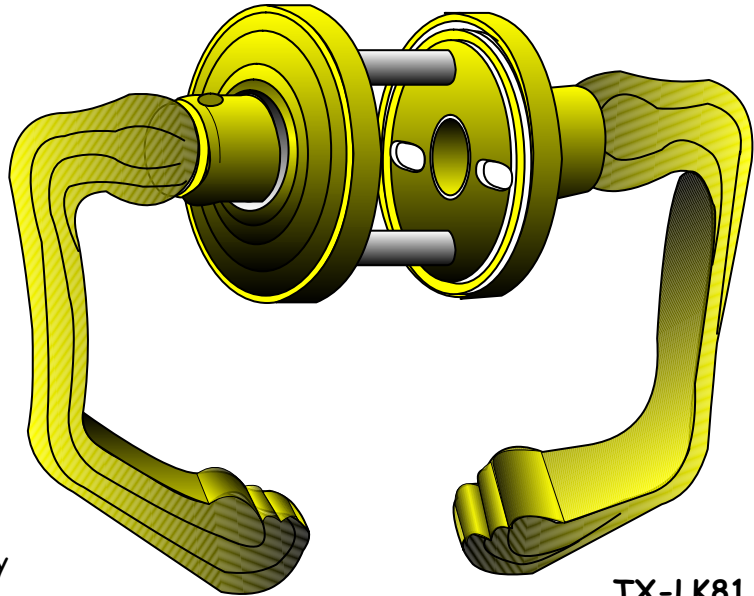


**Model TX-LK81 Classic Lever Set
- Solid Stainless Steel**

Baton Series TX-LK81 Lever Set combines elegance and classic beauty. The investment casting stainless steel solid Lever and 2mm thick Rosette are constructed with Baton's plug type Rosette Adapter (LT-RA281D). Bolting screws are concealed, and coupled with unmatched style and reliability.

The 1-1/2" center to center threaded post works with Series 'LT' Tubular Latch and Series 'A' Mortise Lock cases.

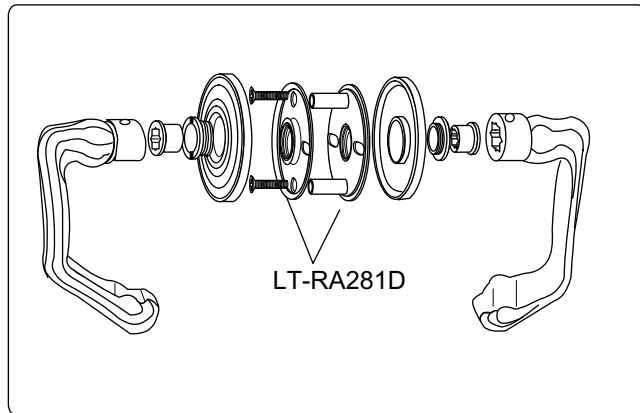
Hub size: 8mm on square. Please refer to page 83 for optional Spindles. Specify Passage or Privacy when ordering.



TX-LK81

Finishes:

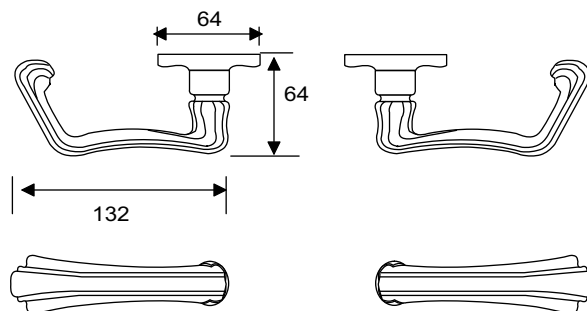
- US32 Bright polished stainless steel
- US32D Satin stainless steel
- ZG32 Bright polished stainless steel and Zirconium/Gold
- ZG32D Satin stainless steel and Zirconium/Gold



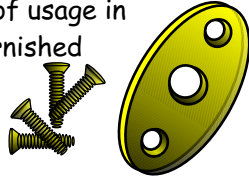
| Sock No. | Description |
|----------|-------------------|
| TX-LK81 | Classic Lever Set |

Latch and Mortise Lock case and Spindle are separate purchase items. Please refer to

- a) pages L01~L09 for Series 'LT' Tubular Latches and related accessories
- b) pages A01 to A10 for Series 'A' Mortise Lock Cases and
- c) pages D10, D11 and E01~E13 for Series 'D', 'E', 'F', 'G', 'K' Mortise Lock Cases
- d) page T25 for optional Spindles



Baton series 'TX-T' Thumb Turns are made of forged brass. The optional 5mm square and breakable flat style steel spindles provide a wide range of usage in many applications. Furnished with front plate and mounting screws.

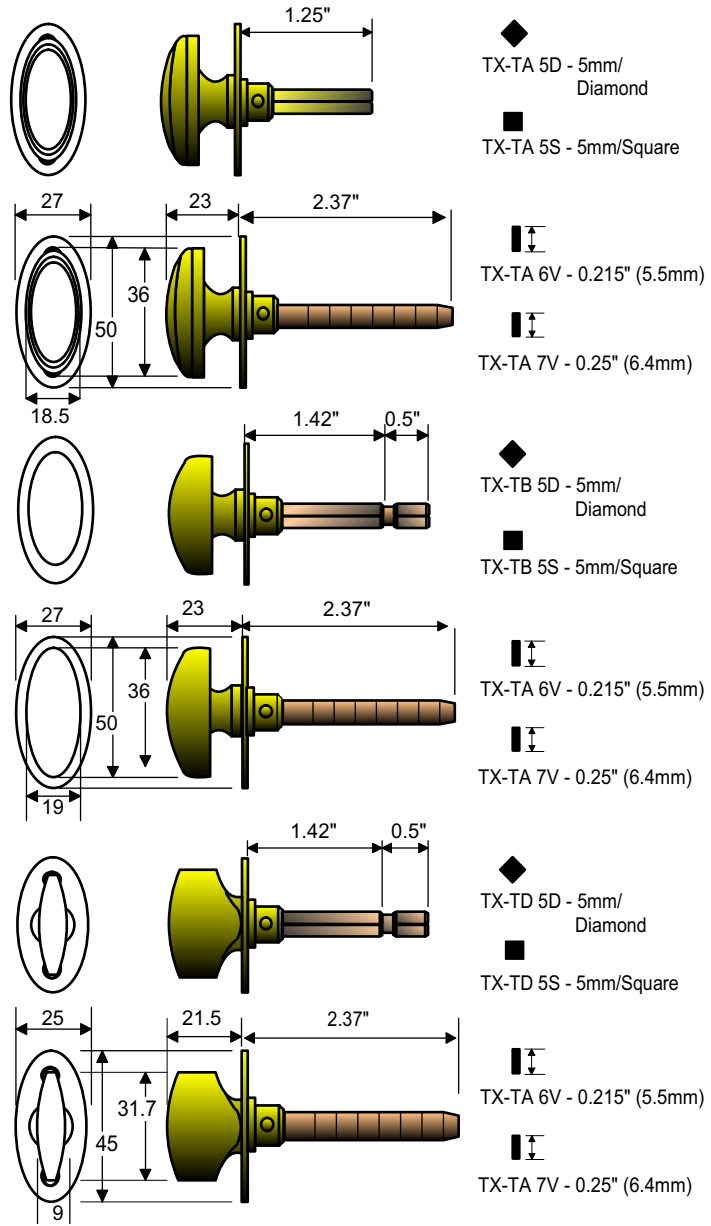
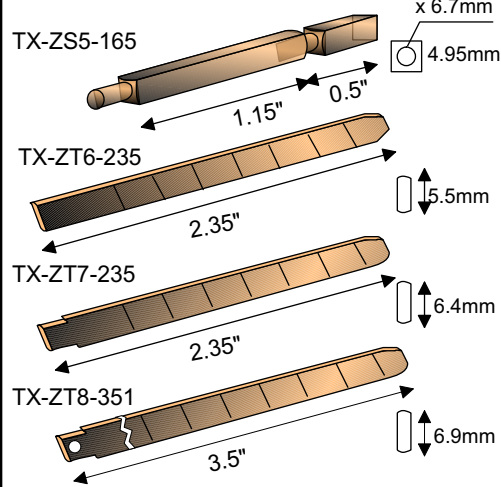


Finishes available:

- TA - US10B, 15, 15A, 26, 3
- TB - US10B, 15, 19, 26, 26D, 3
- TD - US10B, 15, 19, 26D, 3



Spindle and snapable Tails



T24

| Model Nos. | Spindle type | Hub styles to fit | Baton products to fit |
|----------------------------------|----------------------|-------------------|--|
| TX-TA 5D TX-TB 5D TX-TD 5D | 5mm on Diamond | | Mortise lock case series A & C, D Mortise bolts LT245MB, LT780/783/786MB Dead bolt latch D400-DA/DB/DC/DF/DH |
| TX-TA 5S TX-TB 5S TX-TD 5S | 5mm on Square | | LT245MB and Euro style latch/bolt comes with 5mm on square hub |
| TX-TA 6V TX-TB 6V TX-TD 6V | 0.215" W on Vertical | | Mortise lock case series A, Hook lock C275HX, Mortise bolt LT245MB, LT780/ 783/786 w/5mm on Diamond hub |
| TX-TA 7V TX-TB 7V TX-TD 7V | 0.25" W. on Vertical | | Mortise lock cases seroes D500, D600 Deadbolt latches D4 |

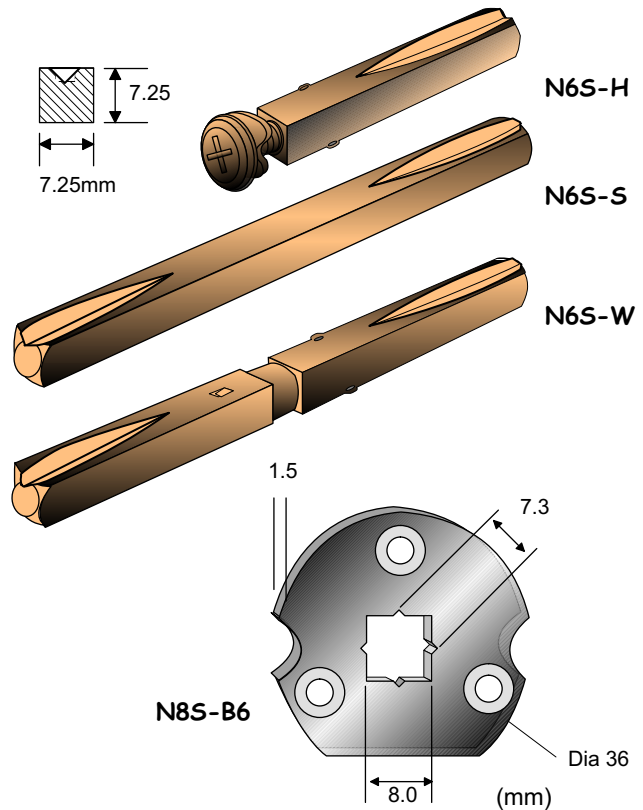
Series 'N6S' Spindle and Dummy Adapter - 7.3mm

Spindles

Baton's series 'N' Spindles are made of wrought steel for 7.3mm hub. Available with the following models:

- Half Spindle -
for Grip Handle on one side with interior Knob/Lever trim (HL or HK).
- Solid Spindle -
one piece construction, for Passage.
- Swivel Spindle -
for Privacy and Entrance.

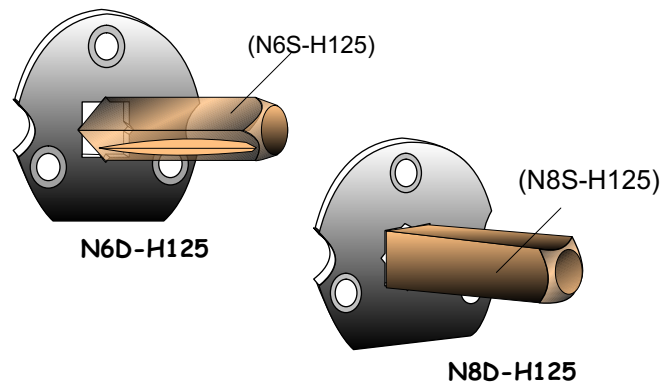
| Stock No. | Description |
|-----------|---------------------|
| N6S-H125 | Dummy Spindle 1.25" |
| N6S-H275 | Half Spindle 2.75" |
| N6S-S400 | Solid Spindle 4" |
| N6S-S450 | Solid Spindle 4.5" |
| N6S-S500 | Solid Spindle 5" |
| N6S-W400 | Swivel Spindle 4" |
| N6S-W450 | Swivel Spindle 4.5" |
| N6S-W500 | Swivel Spindle 5" |



Dummy Spindle & Bracket - for Dummy trim

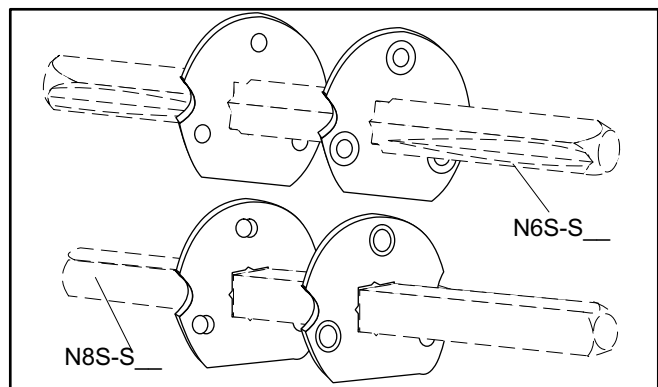
Stainless steel, with 7.3mm on diamond plus 8mm on square broaching, can be accommodated with both 7.3mm or 8.0mm spindles:

- a) Half Spindle for single side dummy trim
- b) Solid Spindle for double side dummy trim
- c) Swivel Spindle for one side dummy and other side active.



Furnished with 3/4" wood screws x 3

| Stock No. | Description |
|-----------|---|
| N8S-B6 | Spindle Bracket, for 7.3 & 8mm Spindles |
| N6D-H125 | Dummy Spindle set 7.3 mm x 1.25" |
| N8D-H125 | Dummy Spindle set 8mm x 1.25" |



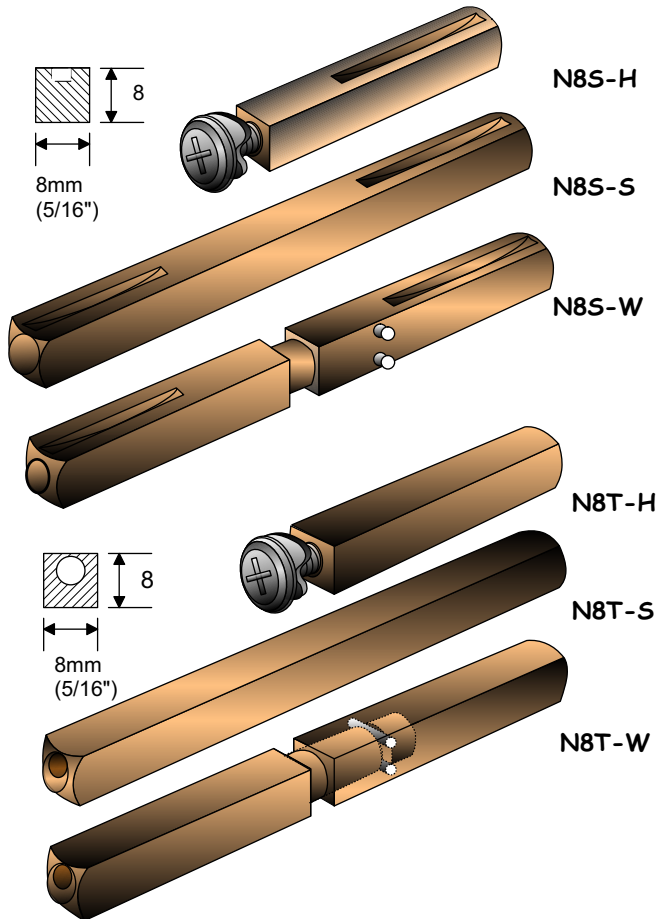
Series 'N8' Spindle, Dummy Bracket Hub Sleeve - 8mm

Spindles

Baton's series 'N' Spindles are made of wrought steel for 8mm hub. Two styles are available: 'NS' Spindles feature groove cut, facilitating the set screw of Knob/Lever mount without slipping. 'NT' Spindles feature a 7/16" off-center hole drilled to allow the pointed set screw to stick on to the spindle. Both styles are available with the following models:

- Half Spindle - for Grip Handle on one side with interior Knob/Lever trim (HL or HK).
- Solid Spindle - one piece construction, for Passage.
- Swivel Spindle - for Privacy and Entrance.

| Stock No. | Description |
|-----------|-----------------------|
| N8S-H 275 | Half Spindle 2.75" |
| N8S-S 400 | Solid Spindle 4" |
| N8S-S 450 | Solid Spindle 4.5" |
| N8S-S 500 | Solid Spindle 5" |
| N8S-W 400 | Swivel Spindle 4" |
| N8S-W 450 | Swivel Spindle 4.5" |
| NS8-W 500 | Swivel Spindle 5" |
| N8T-H 350 | Half Spindle 3.5" |
| N8T-S 400 | Solid Spindle 4" |
| N8T-S 437 | Solid Spindle 4.375" |
| N8T-S 500 | Solid Spindle 5" |
| N8T-S 700 | Solid Spindle 7" |
| N8T-W 400 | Swivel Spindle 4" |
| N8T-W 437 | Swivel Spindle 4.375" |
| N8T-W 450 | Swivel Spindle 4.5" |
| N8T-W 500 | Swivel Spindle 5" |
| N8T-W 700 | Swivel Spindle 7" |



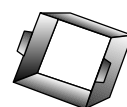
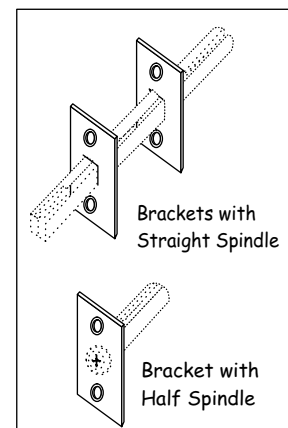
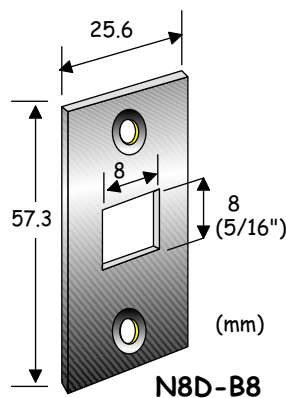
Spindle Bracket- for Dummy trim

Stainless steel, can be accommodated with
a) Half Spindle for single side dummy trim mount,
b) Straight Spindle for double side dummy trim mount, or c) Swivel Spindle for one side dummy and other side active.

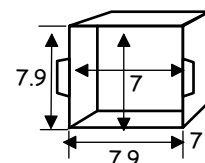
Hub Sleeve 7x7mm

-for converting a mortise lock case or Tubular Latch to take a 7x7mm spindle from a regular 8mm Hub. For the split hub application, simply insert the Hub Sleeve from each side of the Hubs.

| Stock No. | Description |
|-----------|-----------------------------|
| N8D-B8 | Spindle Bracket, w/2 screws |
| N8Z-H7 | Hub Sleeve 7x7mm |

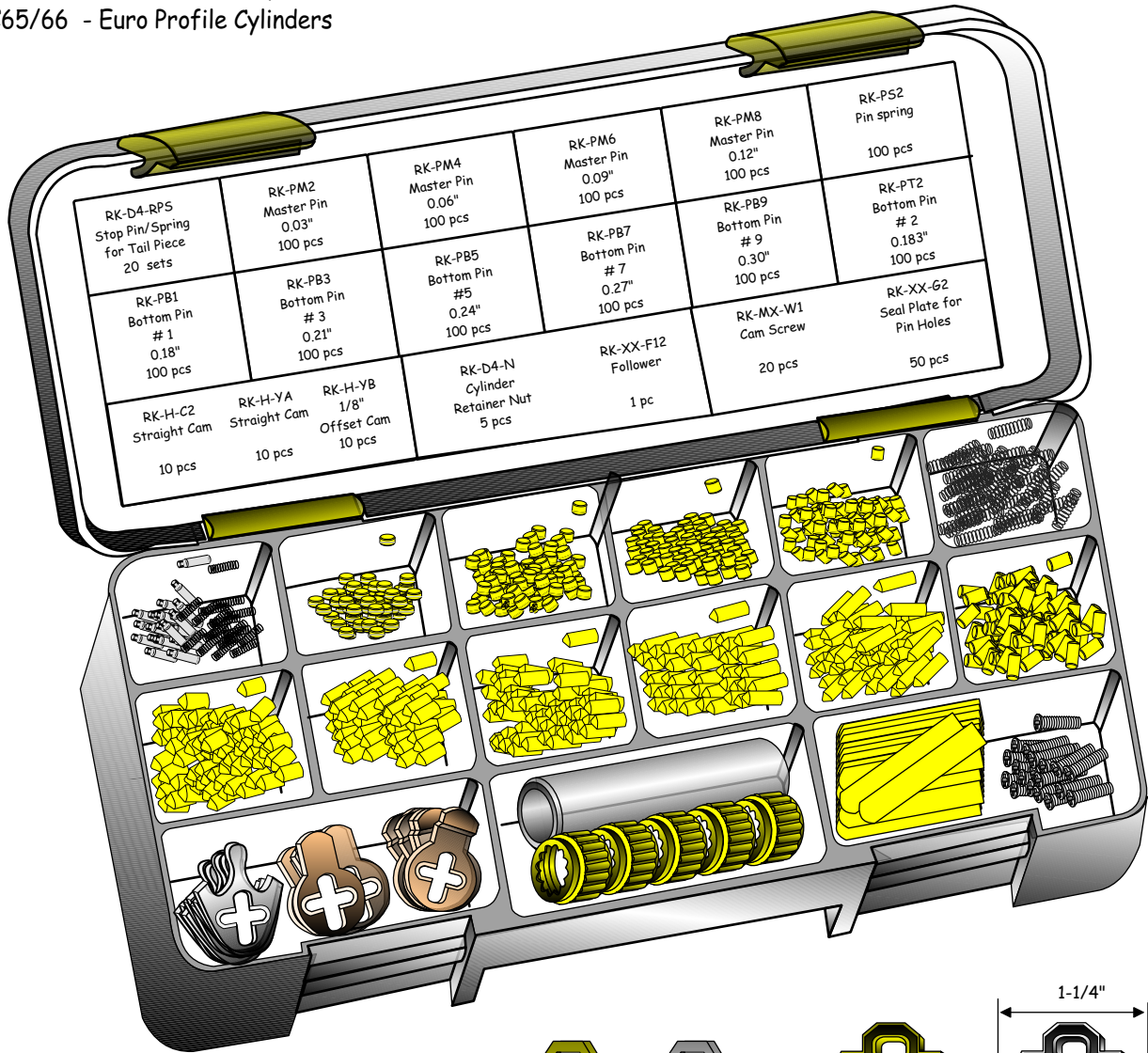


N8Z-H7



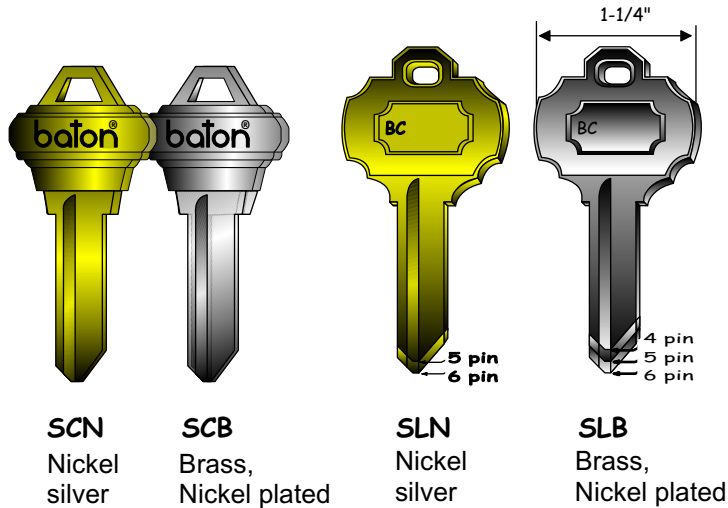
Model RK-20 Rekeying Kit & SB/SL Key Blanks

This rekeying pin kit is designed for Baton cylinders that are stamped with 'BC' code or other compatible cylinders.
 AC29/30/31 - Mortise Cylinders, D400-AK5/AK6 - Key in knob Cylinders
 D400-AS/AD - Deadbolt Cylinders D421/422/461/462 - Deadbolts
 EC65/66 - Euro Profile Cylinders



X03

| Stock No. | Description |
|------------|----------------------------|
| RK-20 | Rekeying Pin Kit |
| RK-SCB-KB6 | 6 pin, brass/nickel plated |
| RK-SCN-KB6 | 6 pin, nickel silver |
| RK-SLB-KB4 | 4 pin, brass/nickel plated |
| RK-SLB-KB5 | 5 pin, brass/nickel plated |
| RK-SLB-KB6 | 6 pin, brass/nickel plated |
| RK-SLN-KB5 | 5 pin, nickel silver |
| RK-SLN-KB6 | 6 pin, nickel silver |



In-house Keying Services

Baton's series 'AC', 'D4' and 'EC' cylinders that are constructed with 'Schlage-C' keyway, can be keyed to Keyed Alike (KA), Master Keying (MK), Grand Master Keying (GMK) or Construction Keying (CK1, CK2). Please call our CSR for the details.

KA - Keyed Alike - one key fits all

Cylinder can be keyed to work with one same key, No Master keying.

These cylinders can be keyed to the same system, KA, MK, GMK or CK

MK - Master Keying

Each lock is operative with it's own key; the management has one key that operates all locks within the system

CK - Construction Keying

Construction key - Level 1
 Voided after any of the Construction key Level 2, individual key, or Master key is operated

Construction key - Level 2
 Voids the construction key Level 1.
 Voided after the individual key or MK key is operated.

GMK - Grand Master Keying

One GMK key operates two or more MK systems

X05

Measurement Chart - Inch vs. MM

| Inch | | MM | Inch | | MM | Inch | | MM |
|--------|---------|---------|----------|---------|---------|----------|---------|---------|
| 1/16" | 0.0625" | 1.5875 | 1-1/16" | 1.0625" | 26.9875 | 2-1/16" | 2.0625" | 52.3875 |
| 1/8" | 0.1250" | 3.1750 | 1-1/8" | 1.1250" | 28.5750 | 2-1/8" | 2.1250" | 53.9750 |
| 3/16" | 0.1875" | 4.7625 | 1-3/16" | 1.1875" | 30.1625 | 2-3/16" | 2.1875" | 55.5625 |
| 1/4" | 0.2500" | 6.3500 | 1-1/4" | 1.2500" | 31.7500 | 2-1/4" | 2.2500" | 57.1500 |
| 5/16" | 0.3125" | 7.9375 | 1-5/16" | 1.3125" | 33.3375 | 2-5/16" | 2.3125" | 58.7375 |
| 3/8" | 0.3750" | 9.5250 | 1-3/8" | 1.3750" | 34.9250 | 2-3/8" | 2.3750" | 60.3250 |
| 7/16" | 0.4375" | 11.1125 | 1-7/16" | 1.4375" | 36.5125 | 2-7/16" | 2.4375" | 61.9125 |
| 1/2" | 0.5000" | 12.7000 | 1-1/2" | 1.5000" | 38.1000 | 2-1/2" | 2.5000" | 63.5000 |
| 9/16" | 0.5625" | 14.2875 | 1-9/16" | 1.5625" | 39.6875 | 2-9/16" | 2.5625" | 65.0875 |
| 5/8" | 0.6250" | 15.8750 | 1-5/8" | 1.6250" | 41.2750 | 2-5/8" | 2.6250" | 66.6750 |
| 11/16" | 0.6875" | 17.4625 | 1-11/16" | 1.6875" | 42.8625 | 2-11/16" | 2.6875" | 68.2625 |
| 3/4" | 0.7500" | 19.0500 | 1-3/4" | 1.7500" | 44.4500 | 2-3/4" | 2.7500" | 69.8500 |
| 13/16" | 0.8125" | 20.6375 | 1-13/16" | 1.8125" | 46.0375 | 2-13/16" | 2.8125" | 71.4375 |
| 7/8" | 0.8750" | 22.2250 | 1-7/8" | 1.8750" | 47.6250 | 2-7/8" | 2.8750" | 73.0250 |
| 15/16" | 0.9375" | 23.8125 | 1-15/16" | 1.9375" | 49.2125 | 2-15/16" | 2.9375" | 74.6125 |
| 1" | 1.0000" | 25.4000 | 2" | 2.0000" | 50.8000 | 3" | 3.0000" | 76.2000 |

| Inch | | MM | Inch | | MM | Inch | | MM |
|----------|---------|----------|----------|---------|----------|----------|---------|----------|
| 3-1/16" | 3.0625" | 77.7875 | 4-1/16" | 4.0625" | 103.1875 | 5-1/16" | 5.0625" | 128.5875 |
| 3-1/8" | 3.1250" | 79.3750 | 4-1/8" | 4.1250" | 104.7750 | 5-1/8" | 5.1250" | 130.1750 |
| 3-3/16" | 3.1875" | 80.9625 | 4-3/16" | 4.1875" | 106.3625 | 5-3/16" | 5.1875" | 131.7625 |
| 3-1/4" | 3.2500" | 82.5500 | 4-1/4" | 4.2500" | 107.9500 | 5-1/4" | 5.2500" | 133.3500 |
| 3-5/16" | 3.3125" | 84.1375 | 4-5/16" | 4.3125" | 109.5375 | 5-5/16" | 5.3125" | 134.9375 |
| 3-3/8" | 3.3750" | 85.7250 | 4-3/8" | 4.3750" | 111.1250 | 5-3/8" | 5.3750" | 136.5250 |
| 3-7/16" | 3.4375" | 87.3125 | 4-7/16" | 4.4375" | 112.7125 | 5-7/16" | 5.4375" | 138.1125 |
| 3-1/2" | 3.5000" | 88.9000 | 4-1/2" | 4.5000" | 114.3000 | 5-1/2" | 5.5000" | 139.7000 |
| 3-9/16" | 3.5625" | 90.4875 | 4-9/16" | 4.5625" | 115.8875 | 5-9/16" | 5.5625" | 141.2875 |
| 3-5/8" | 3.6250" | 92.0750 | 4-5/8" | 4.6250" | 117.4750 | 5-5/8" | 5.6250" | 142.8750 |
| 3-11/16" | 3.6875" | 93.6625 | 4-11/16" | 4.6875" | 119.0625 | 5-11/16" | 5.6875" | 144.4625 |
| 3-3/4" | 3.7500" | 95.2500 | 4-3/4" | 4.7500" | 120.6500 | 5-3/4" | 5.7500" | 146.0500 |
| 3-13/16" | 3.8125" | 96.8375 | 4-13/16" | 4.8125" | 122.2375 | 5-13/16" | 5.8125" | 147.6375 |
| 3-7/8" | 3.8750" | 98.4250 | 4-7/8" | 4.8750" | 123.8250 | 5-7/8" | 5.8750" | 149.2250 |
| 3-15/16" | 3.9375" | 100.0125 | 4-15/16" | 4.9375" | 125.4125 | 5-15/16" | 5.9375" | 150.8125 |
| 4" | 4.0000" | 101.6000 | 5" | 5.0000" | 127.0000 | 6" | 6.0000" | 152.4000 |